

SPINDLE LINERS

VIBRATION-DAMPENING



SPINDLE LINERS VIBRATION-DAMPENING FOR C.N.C. LATHES

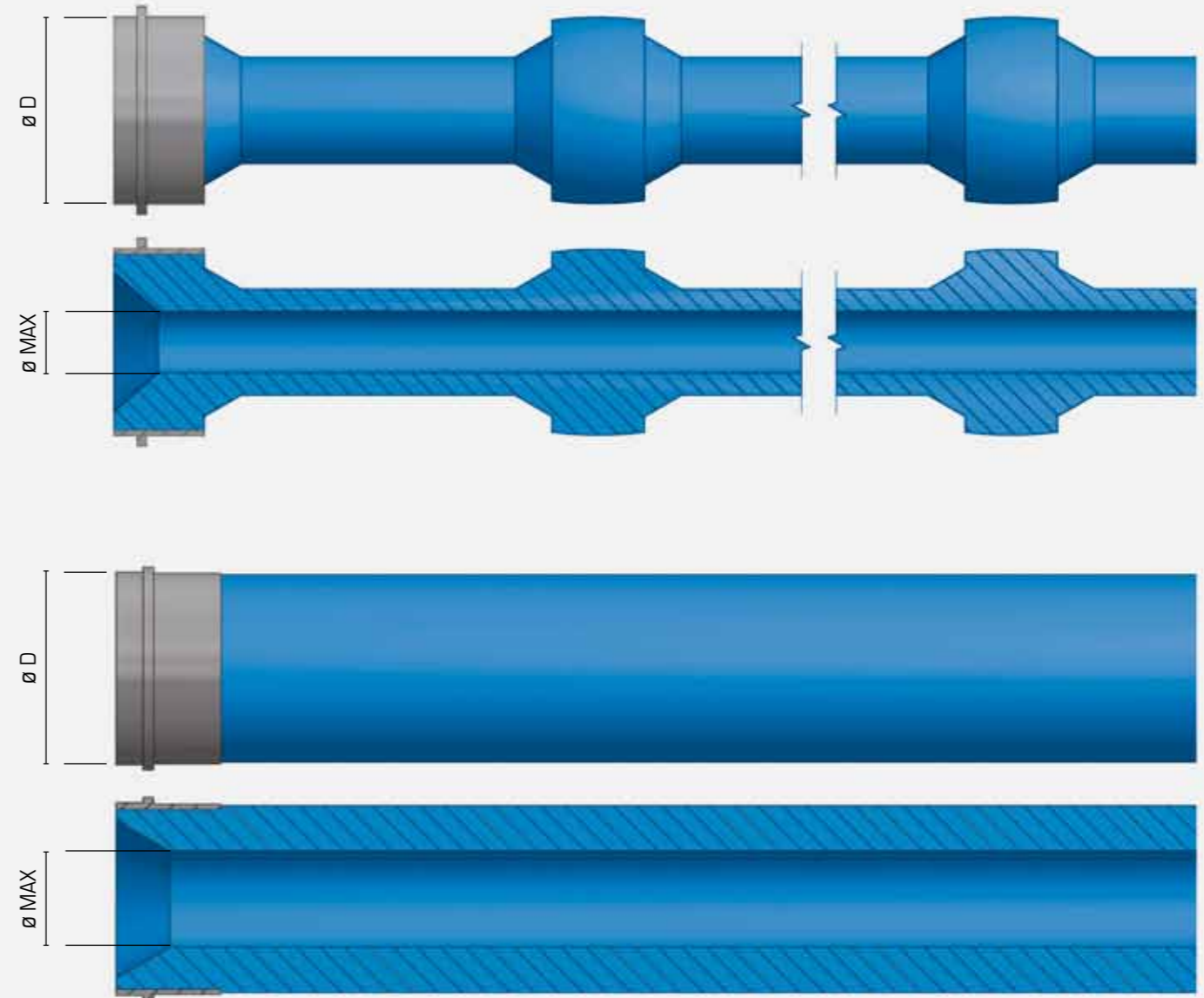
Unilock[®]

INNOVATIVE SOLUTIONS FOR CLAMPING SYSTEMS

SPINDLE LINERS VIBRATION-DAMPENING FOR C.N.C. LATHES

The Spindle Liners Vibration-Dampening is made in polyurethane. This allows to absorb the vibrations and oscillations of the bar during machining.

Unlike the traditional steel dampening tubes, the Unilock Technological Tube allows a high number of bar revs. during machining and drastically reduces noise.



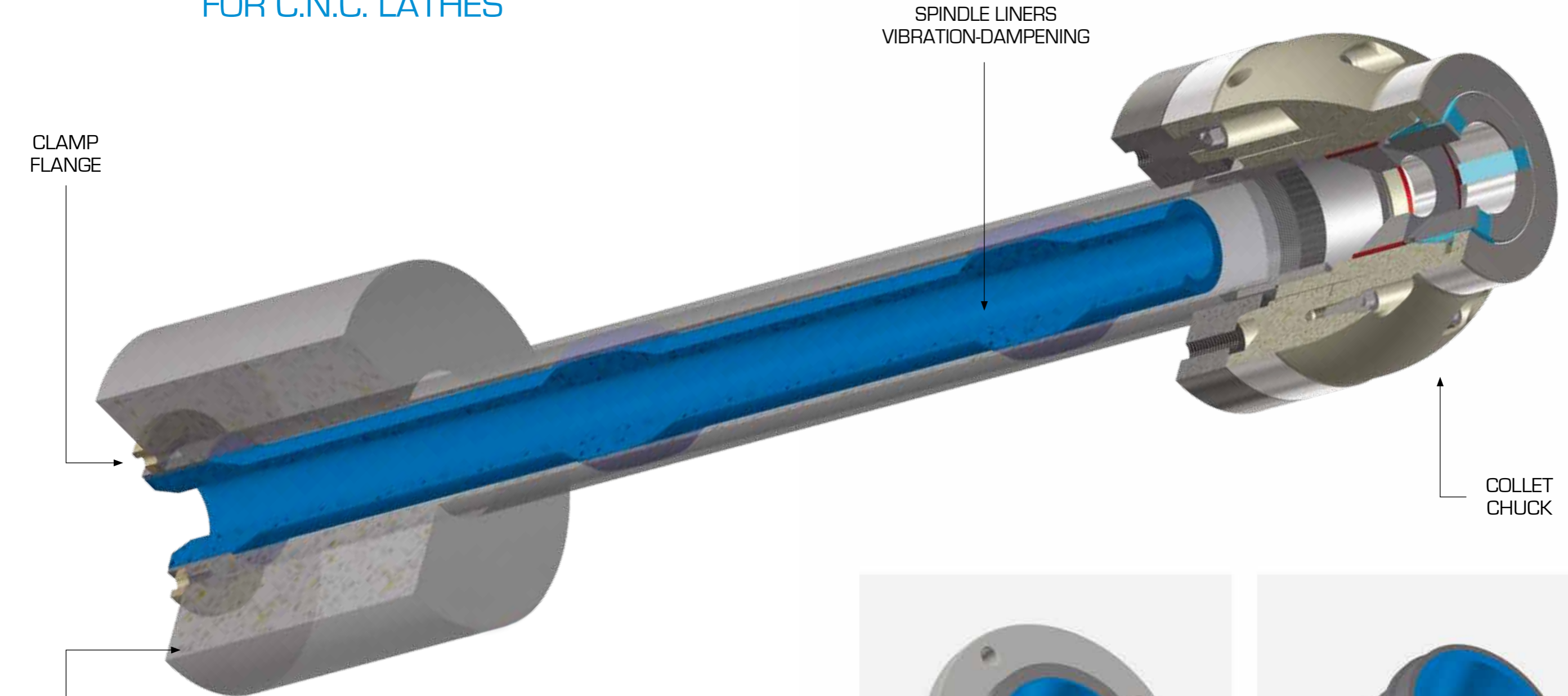
ADVANTAGES

- Greatly reduces bar vibrations;
- Noise reduction;
- Allows a high number of bar revs. during machining;
- Thanks to product features, quicker delivery is possible;
- Low cost.

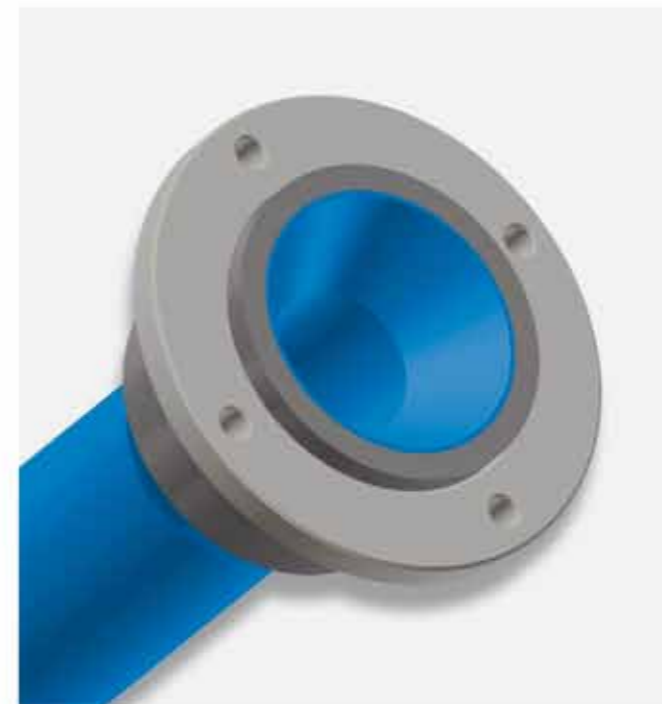
ITEM	TT 45	TT 50	TT 52	TT 60	TT 61	TT 65	TT 66	TT 72	TT 80	TT 100
ø EXTERNAL	45	50	52	60	61	65	66	72	80	103
LENGTH	from 600 mm to 1000 mm									
ø MAX HOLE	40	45	47	55	56	60	61	67	75	95

Other measurements available on request.

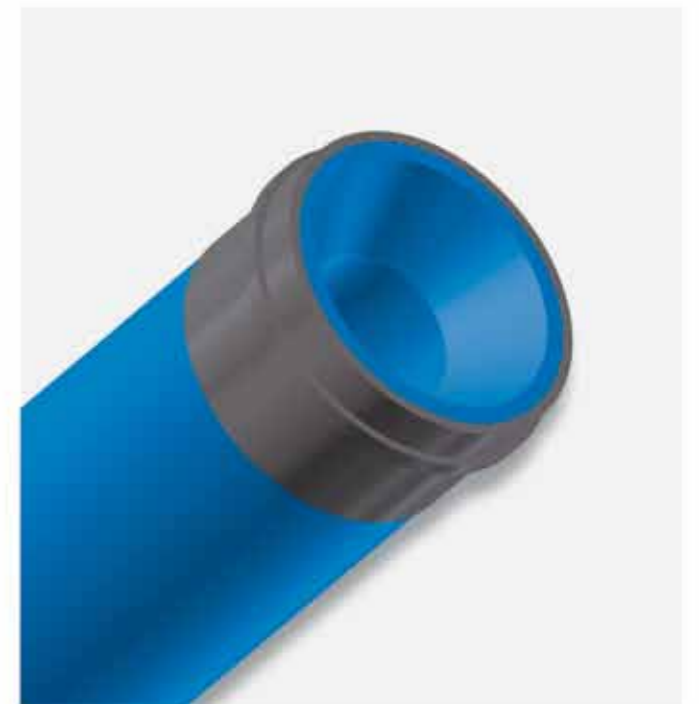
SPINDLE LINERS VIBRATION-DAMPENING FOR C.N.C. LATHES



Unlike the traditional steel dampening tubes, the Unilock Technological Tube allows a high number of bar revs. during machining and drastically reduces noise.



FLANGE detail for clamping the tube to the collet-chuck.



Steel insert detail.

SPINDLE LINERS FOR BAR FEEDER OR SHORT LOADER

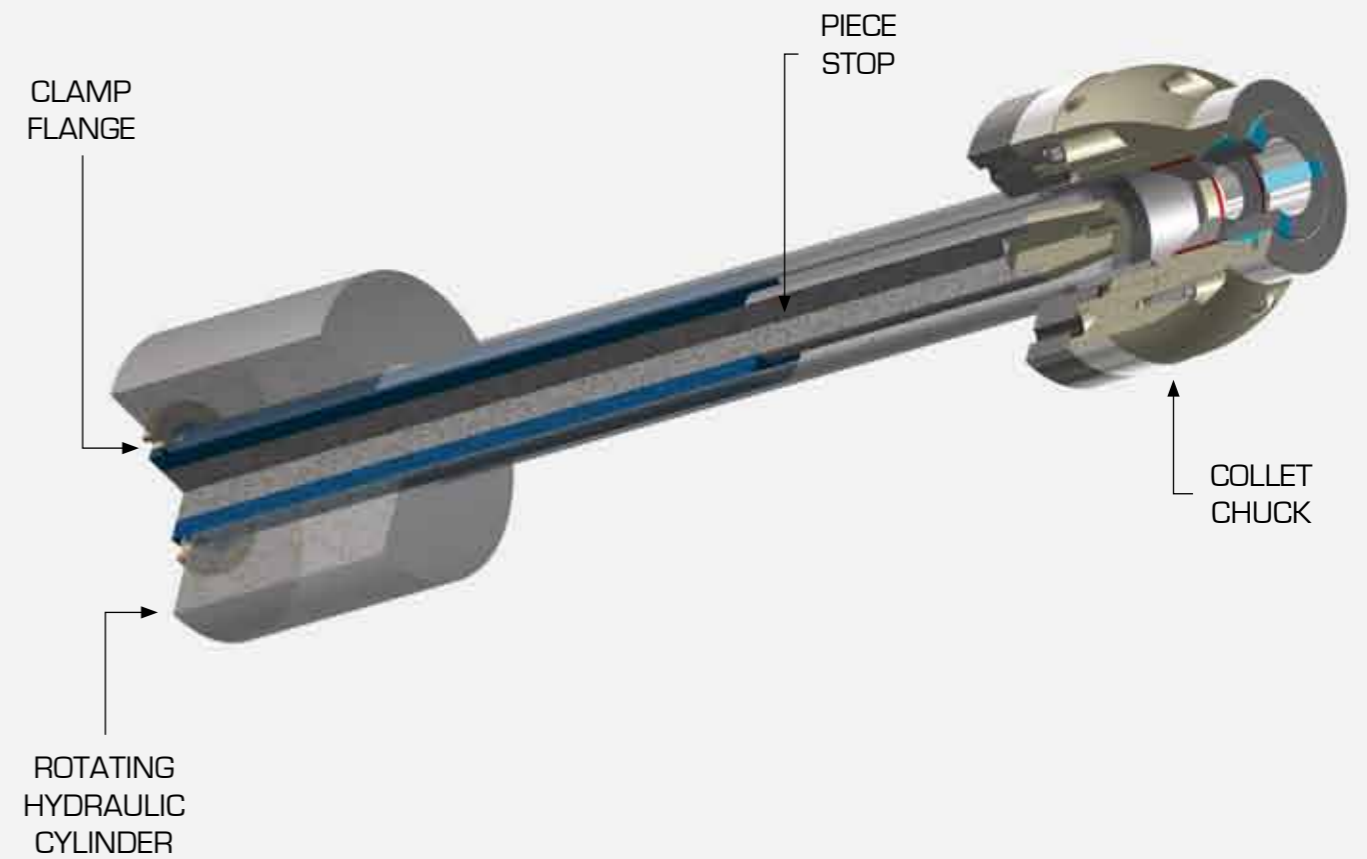


When BAR FEEDER or SHORT LOADER are used, the spindle liners can be manufactured with a steel extension in a way to fit the lathe with the feeder or short loader.



A shaped-centring bush (for hexagonal, square or profiled bars) can also be applied in the rear part of the SPINDLE LINERS, which allows to position the tube with the closing collet.

PIECE STOP - RABBET



The **Unilock Spindle Liners Vibration-Dampening** can be used as a piece stop inside the lathe for second operation.





Unilock

www.unilock.it

UNILOCK s.a.s

V.le Edison, 56 - 20090 Trezzano sul Naviglio (Mi) - Italy - Tel. +39 02 48401499 - Fax +39 02 4450988 - Email info@unilock.it